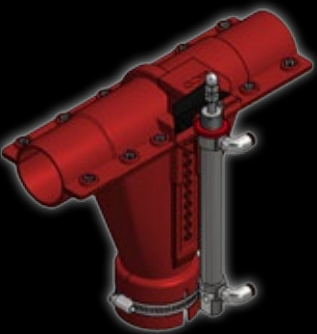


FUNKINET DRY SECTION

Phase feeding with automatic change of feed mix



- PC operated user interface
- Easy monitoring of daily feed consumption
- High capacity
- Simple and reliable
- Automatic creation of feed curves based on pigs' production results
- Feed curves, mixes, etc., are shown graphically on the screen. Keying errors are thus immediately spotted and corrected.
- Fill silo or section according to the feed curve
- Storage control with batch registration ensuring complete traceability at all times



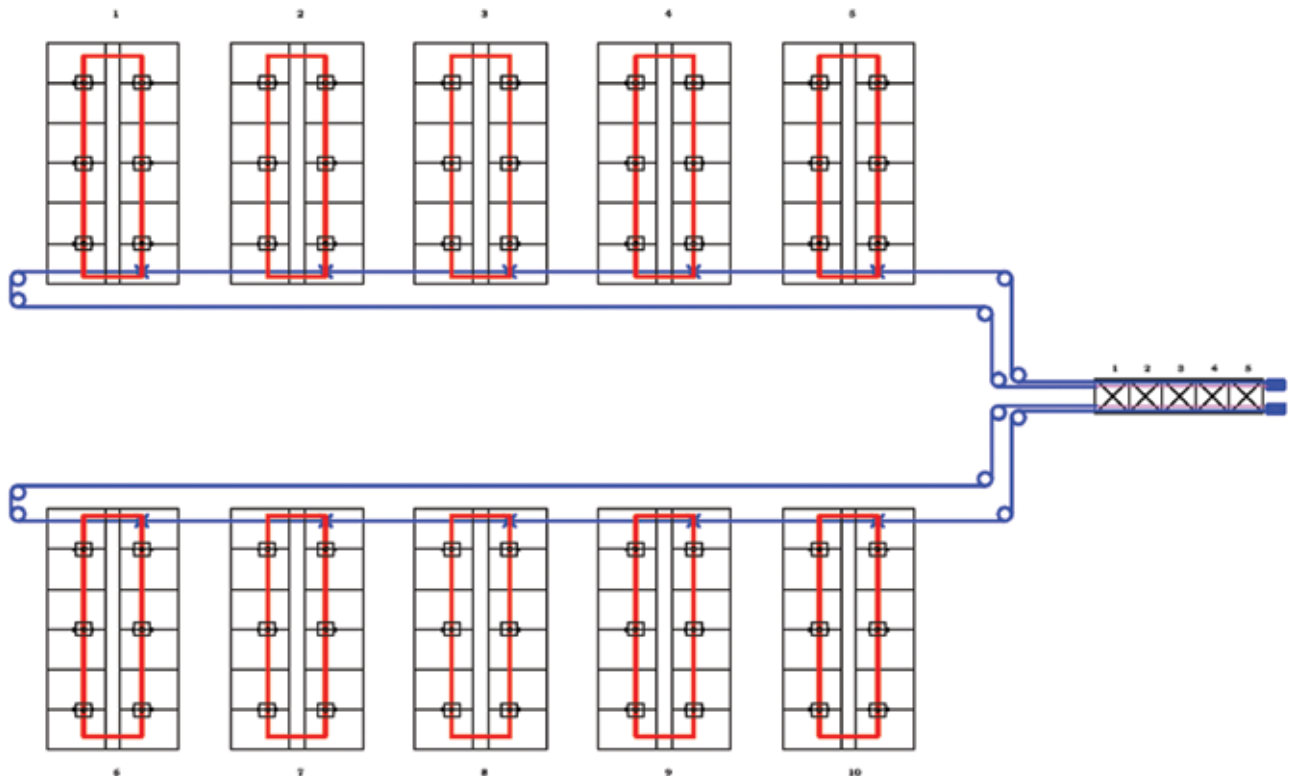
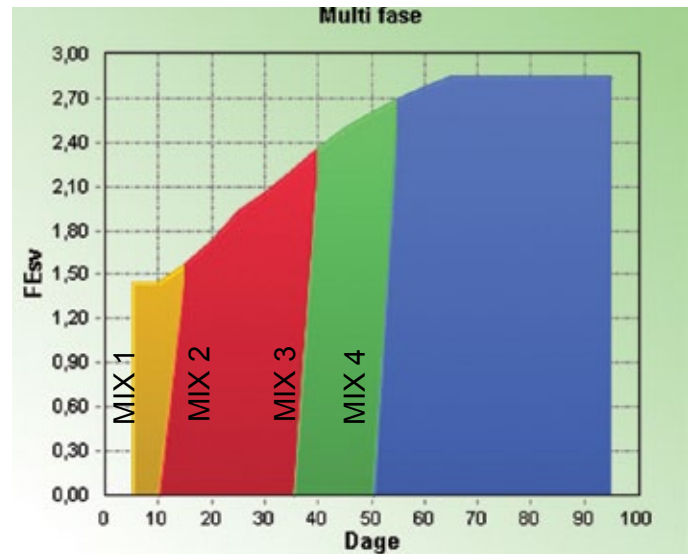
| FUNKINET DRY SECTION |

Phase feeding with automatic change of feed mix

FunkiNet Dry Section is a flexible dry feeding control unit which is very easy to operate. The system can be adapted according to individual customer needs and wishes.

FunkiNet Dry Section ensures efficient pig production - one click and you are in full control.

FunkiNet Dry Section can be made for both phase feeding and multi-phase feeding. The multi-phase feeding will mix the feed from 2 silos with frequency regulated speed control and there is a return silo for each section.



Subject to changes in materials and design is reserved.

B-1044-GB



ACO FUNKI A/S
Kirkevænget 5
DK-7400 Herning
T. +45 9711 9600
www.acofunki.com

