



BABY FEEDER

For pigs from 4 kg

- The best start for pigs after weaning
- Increases feed and water intake
- Stimulate the piglets to eat and drink
- Ensures optimal growth
- Fills the trough when the sensor indicates it is empty
- Adjustable pause time from emptying to feed assignment
- Always fresh feed and water
- Easy to clean
- Reliable and easy to operate
- Adjustable mixing ratio between feed and water
- The trough is designed for pigs from 4 kg
- Up to 60 pigs per feeder

| BABY FEEDER |

Unique method to mix feed and water



Feeder with sensor

Baby Feeder is a feeder that can be used by even the smallest pigs from 4 kg. The unique design of the feeder makes it possible to mix feed and water inside the trough, which ensures better hygiene and cleanliness. Feed automatically fills when sensor indicates that the trough is empty, according to the adjustable time frame.

Trough

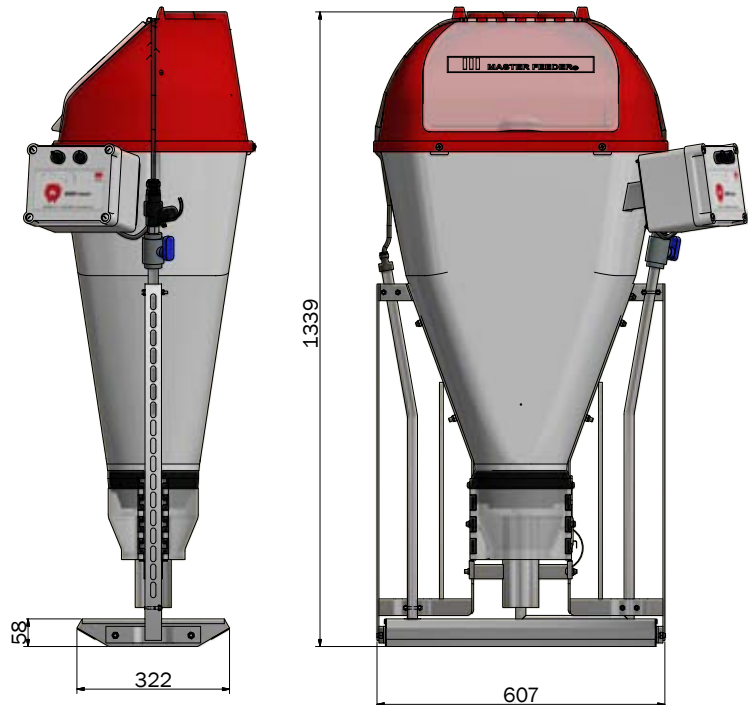
Our Baby trough is long, and it makes it easy to build it between the partitions in a pen. The trough dimensions, front height and width are adjusted to the smallest pigs.



Feed automatically fills when sensor indicates empty trough, according to the adjustable time frame.



Water and feed are mixed in the bottom of the trough.



FACTS

WATER	Water connection	8 mm hose provided, length 3 m
	Water pressure	2,5 bar (recommended)
ENERGY	Energy plug	Schuko plug as standard
	Cable	4,5 m
	Connecting	No electrician needed
FEED	Feed type	Only powder feed

Subject to changes in materials and design is reserved.

B-1049-GB



ACO FUNKI A/S
Kirkevænget 5
DK-7400 Herning
T. +45 9711 9600
www.acofunki.com

